



*Zuccarini*  
ESPRESSO MACHINES  
AND COFFEE BAR SYSTEMS  
[WWW.ZUCCARINILT.D.COM](http://WWW.ZUCCARINILT.D.COM)  
(416) 537-3439



MAJOR ELECTRONIC



MAJOR

MAJOR  
MAJOR ELECTRONIC





## GRINDER-DOSER MAJOR

STEPLESS MICROMETRICAL  
GRINDING ADJUSTMENT

Available in the following versions:

- with manual switch
- with time switch
- automatic with start every 12 doses and stop when the ground coffee doser is full

### TECHNICAL FEATURES:

Power	650 Watt
Grinding Blades	Ø 83 mm (3¼ inches)
(single phase ref. 151A - three phase ref. 151B)	
Grinding blade speed	1400 (50 Hz) r.p.m. 1600 (60 Hz) r.p.m.
Coffee-bean container capacity	1,8 Kg (4 lbs)
Net weight	20 Kg (44 lbs)

## GRINDER-DOSER MAJOR ELECTRONIC

STEPLESS MICROMETRICAL  
GRINDING ADJUSTMENT

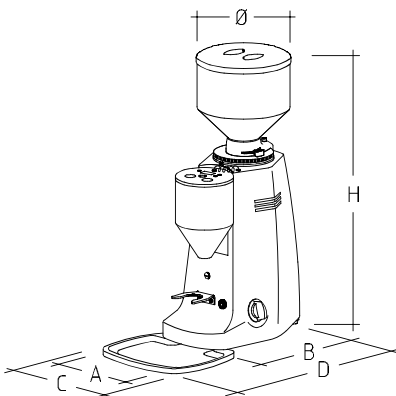
- Grinding on demand
- Electronic dose adjustment
- Ventilation with electronic control

### CARATTERISTICHE TECNICHE:

Power	650 Watt
Grinding blades (ref. 151A)	Ø 83 mm (3¼ inches)
Grinding blade speed	1400 (50 Hz) r.p.m. 1600 (60 Hz) r.p.m.
Coffee-bean container capacity	1,8 Kg (4 lbs)
Net weight	20 Kg (44 lbs)



### COLOURS



	mm	inches
A	212	8 ¼
B	292	11 ½
C	240	9 ½
D	455	18
H	635	25
Ø	212	8 ¼

	mm	inches
A	212	8 ¼
B	292	11 ½
C	240	9 ½
D	455	18
H	635	25
Ø	212	8 ¼

[www.mazzer.com](http://www.mazzer.com)

MAZZER LUIGI s.r.l. Via Moglianese, 113 - 30037 Gardigiano di Scorzè (VE) - Italy

Tel. +39 041 5830200 - +39 041 5831300 - Fax +39 041 5830060 - E-mail: [mazzer@mazzer.com](mailto:mazzer@mazzer.com) - C.F. e P. IVA 00165200270

The manufacturer reserves the right to change specifications without notice.

**Zuccarini**  
ESPRESSO MACHINES  
AND COFFEE BAR SYSTEMS  
[WWW.ZUCCARINILT.D.COM](http://WWW.ZUCCARINILT.D.COM)  
(416) 537-3439